

WY 380-10N

WY 400-10N

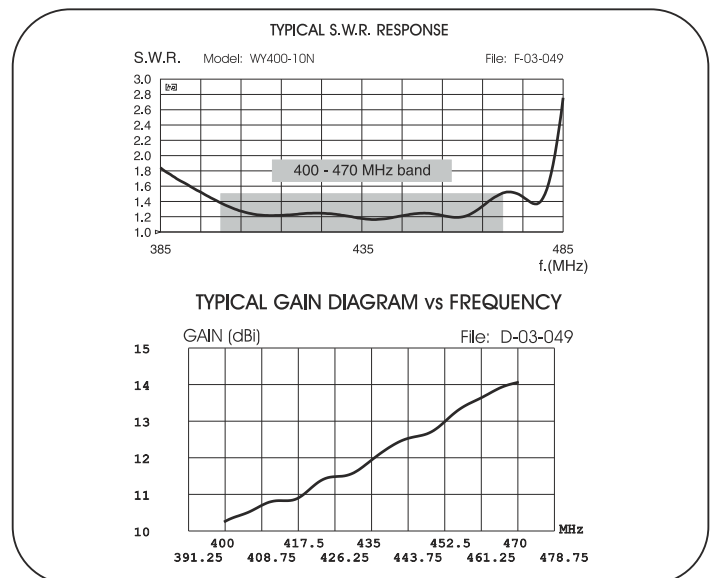
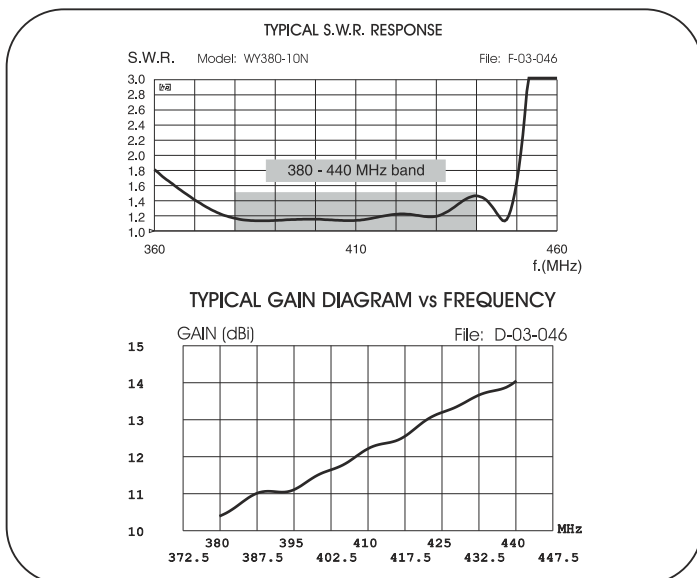
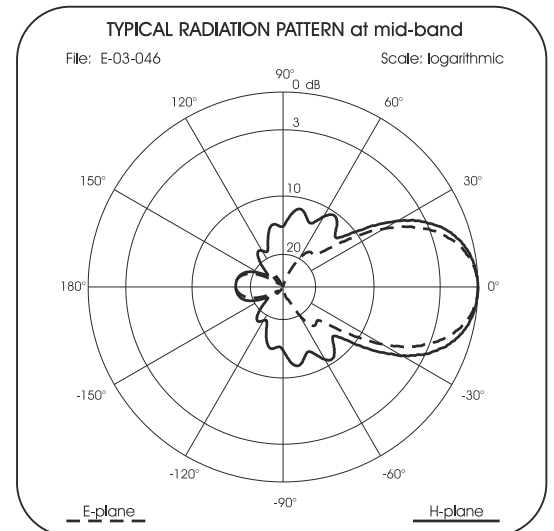
UHF Base Station 10 Elements Yagi Antennas 380-470 MHz

DESCRIPTION: Base station antennas conceived by using an innovative feed system studied and applied to have highly symmetrical radiation pattern in both planes (E and H). It's completely computer designed to get high performances of gain and front-to-back in the working band. All aluminium parts are protected by anodized treatment, hardware are of Stainless steel or zinc plated steel, mounting bracket is of extruded aluminium for the best strength and the connector is placed in rear position for an easily access. To increase the antenna gain please install it in vertical stacked array. **These products are Patented.**

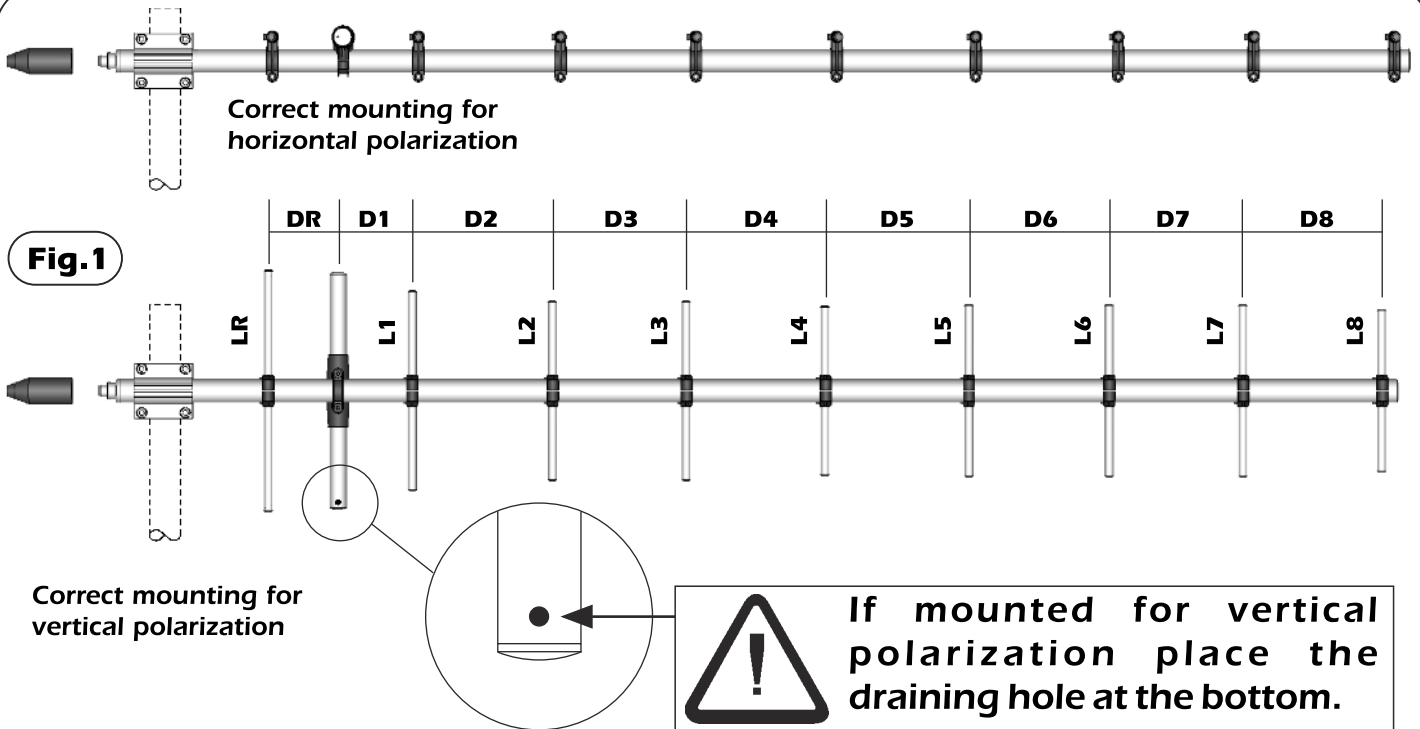


Electrical Data	WY 380-10N	WY 400-10N
Type	10 elements Yagi	
Frequency Range @ SWR ≤ 1.5	380 - 440 MHz	400 - 470 MHz
Impedance	50 Ω	
Radiation (H-plane) beamwidth @ -3 dB	50°	
Radiation (E-plane) beamwidth @ -3 dB	45°	
Front to back ratio	≥ 18 dB	
Polarization	Linear Vertical or Horizontal	
Gain	11.85 dBd - 14 dB	
Max Power (CW) @ 30°C	150 Watts	
Grounding Protection	All metal parts are DC-grounded, the inner conductor shows a DC short	
Connector	N-female with rubber protection cap	

Mechanical Data		
Materials	Anodized 6063-T5 Aluminium, EPDM rubber, thermoplastic UV stabilized, Chromed Brass	
Wind Load @ 150 km/h	150 N	142 N
Wind Resistance	120 Km/h; 75 mi/h	120 Km/h; 75 mi/h
Wind Surface	0.121 m ² ; 1.3 ft ²	0.115 m ² ; .23 ft ²
Dimensions W x H (approx.)	2125 x 400 mm; 7.0 x 1.3 ft	2000 x 375 mm; 6.6 x 1.2 ft
Turning radius (approx.)	1990 mm; 6.5 ft	1860 mm; 6.1 ft
Weight (approx.)	2120 gr; 4.7 lb	2040 gr; 4.5 lb
Operating temperature	-40° C to +60° C	
Mounting Mast	Ø 35 - 52 mm; 1.4 - 2.0 in	
Boom / Dipole / Element Diameter	Ø 32 mm; 1.3 in / Ø 24 mm; 0.95 in / Ø 12 mm; 0.5 in	



MOUNTING INSTRUCTIONS



		LR	L1	L2	L3	L4	L5	L6	L7	L8	DR	D1	D2	D3	D4	D5	D6	D7	D8
WY 380-10N	(mm)	396	292	279	276	271	264	260	255	246	140	109	186	221	222	222	238	245	249
	(in)	15.6	11.5	11.0	10.9	10.7	10.4	10.2	10.0	9.7	5.5	4.3	7.3	8.7	8.7	8.7	9.4	9.6	9.8
WY 400-10N	(mm)	371	271	260	255	250	246	243	236	230	130	106	174	200	207	207	222	228	232
	(in)	14.6	10.7	10.2	10.0	9.8	9.7	9.6	9.3	9.1	5.1	4.2	6.9	7.9	8.1	8.1	8.7	9.0	9.1

Element Mounting

1) By means of a meter measure the aluminium elements **A** and position them in the plastic support **B** of the boom according to **fig. 1**.

2) Place the reference marker of the aluminium element **A** in the centre of the plastic support **B** (see **fig. 3**) and lock the screws **C** by the supplied key **D** (**fig. 4**). When the screws touch the aluminium tubes you can finally lock them turning for 1.5 turns.

Warning: do not exceed 1.5 turns. The plastic support threads could be damaged.

3) Insert the plastic caps **E** on the aluminium elements **A** (see **fig. 4**)

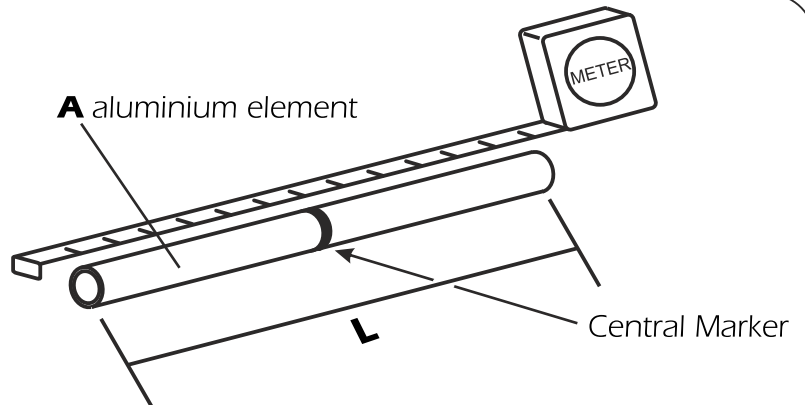


Fig.2

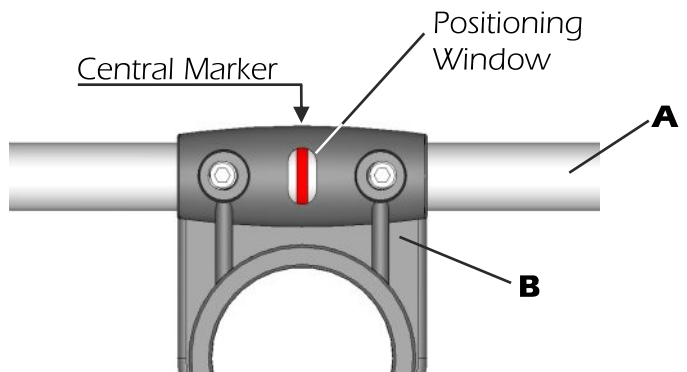


Fig.3

Part list	
Q.ty	Description
1	A) Aluminum tubes
2	C) M5x6 Hexagon socket set screw
1	D) 2.5mm Hexagonal key
2	E) Plastic cap

MOUNTING INSTRUCTIONS

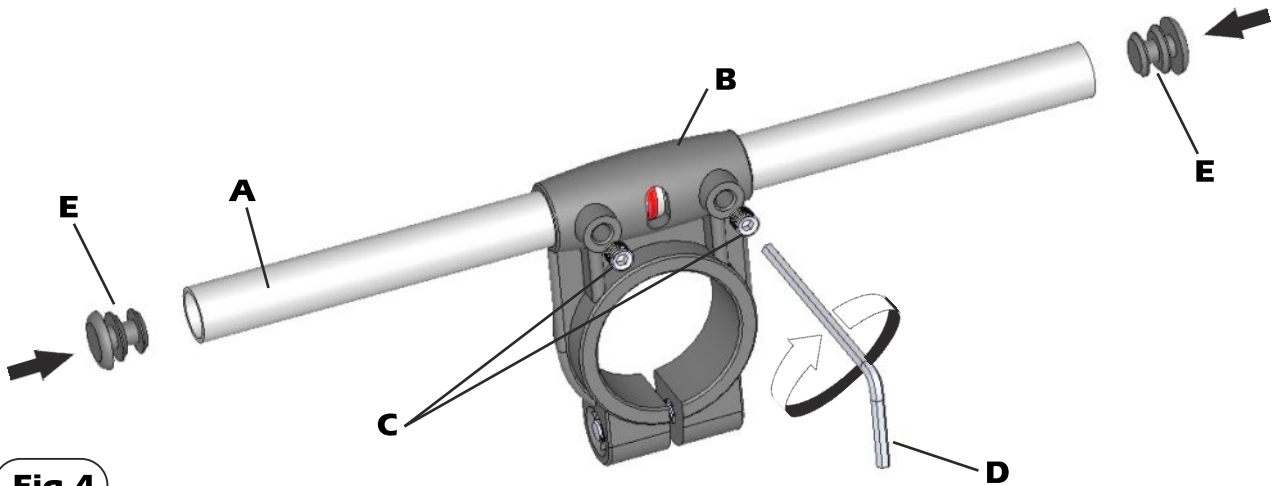


Fig.4

Dipole mounting

- 1) Place the O-ring gasket **F** on the dipole connector **G**. (See **Fig.5**)
 - 2) Insert the antenna's dipole **H** in the dipole connector **G**
 - 3) Fix the antenna's dipole **H** by using the plastic fixing clamp **I** and the screws **J**. Lock the screws to well fix the plastic parts to avoid any gap (see **Fig.6**)
- Remark: the antenna's dipole must be aligned to the elements**

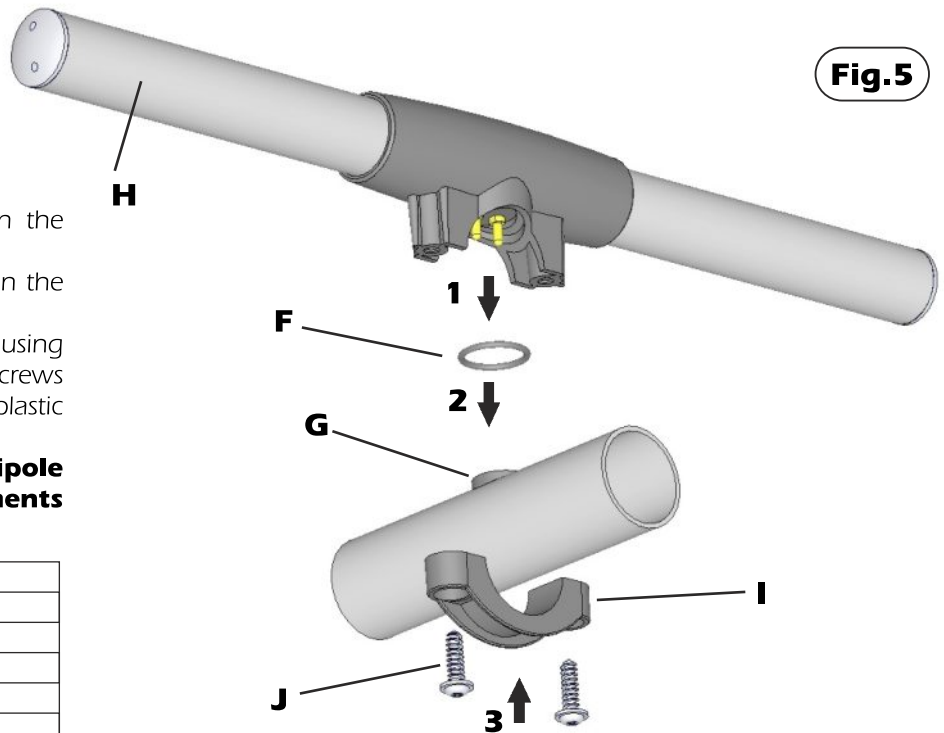


Fig.5

Part list	
Q.ty	Description
1	F) O-ring gasket
1	H) Antenna's dipole
1	I) Plastic fixing clamp
2	J) Tapping Screws for plastic

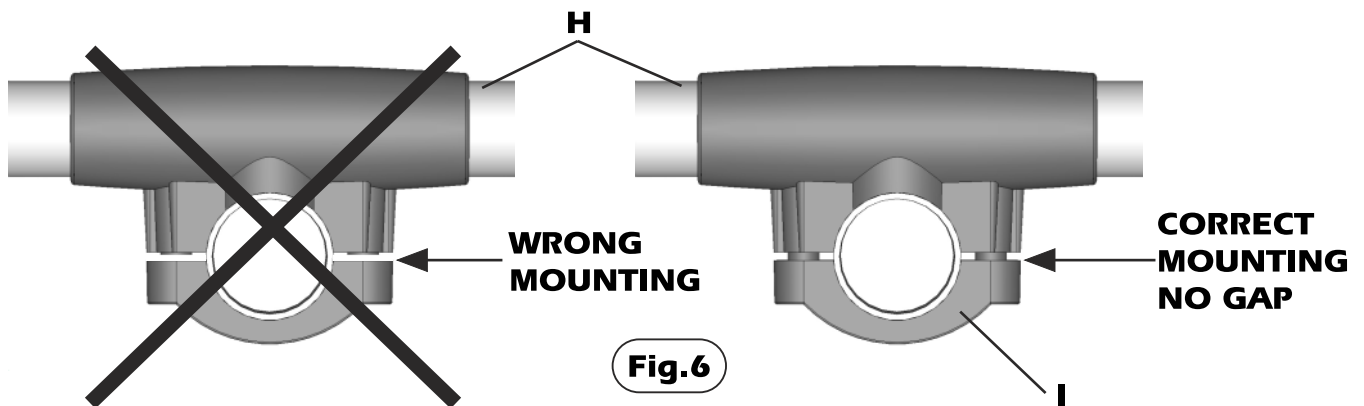
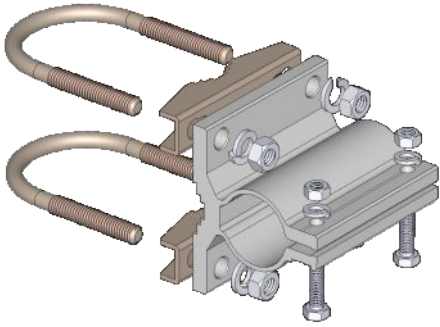


Fig.6

MOUNTING INSTRUCTIONS

Standard Mounting Bracket

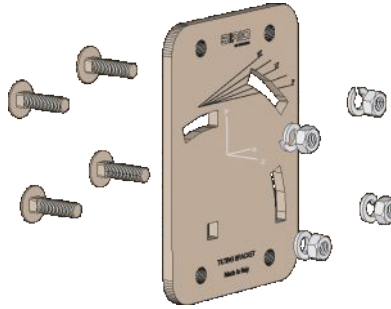


Spare parts: p/n SA197

Materials: extruded aluminum
Hardware: stainless & zinc plated steel
Dimensions : 80 x 76 x 65 mm
Weight: 460 gr

Part list	
Q.ty	Description
1	Extruded aluminium bracket
2	Steel bracket
2	M8x200 U-bolt
4	M8 Grower washer
4	M8 Hexagonal nut
2	M6x20 Hexagonal head screw
2	M6 Grower washer
2	M6 Hexagonal nut

Tilting Bracket*

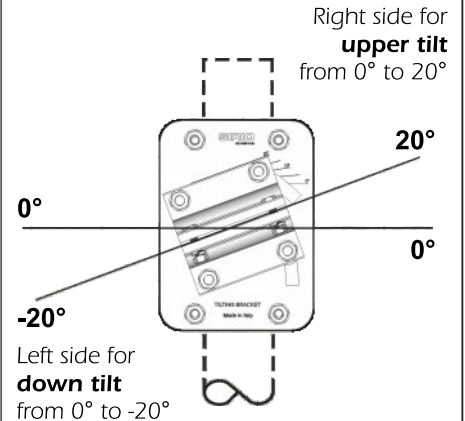


Order p/n: 2519803.00

Materials & Hardware: zinc plated steel
Dimensions: 110 x 150 x 6 mm.
Weight: 800 gr

Part list	
Q.ty	Description
1	10x150x6 Tilting bracket
4	M8x25 Spheric head screw
4	M8 Grower washer
4	M8 Hexagonal nut

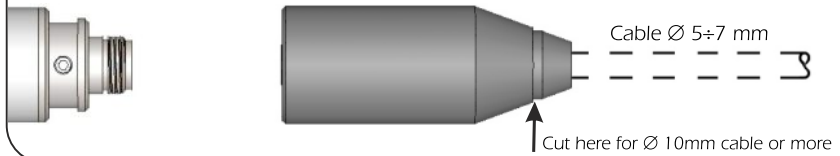
Mounting example



* Optional (not included).

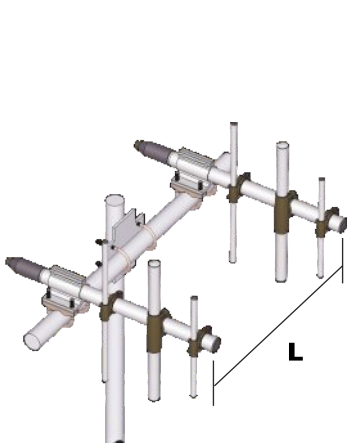
Connector protection cap

Spare parts: p/n TE06416

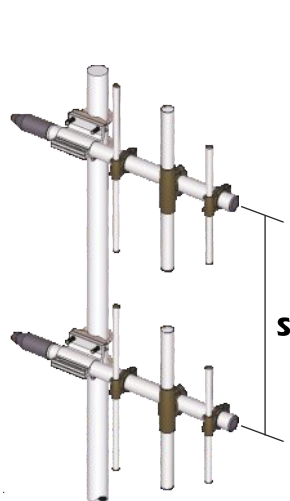


Stacking and Baying distance

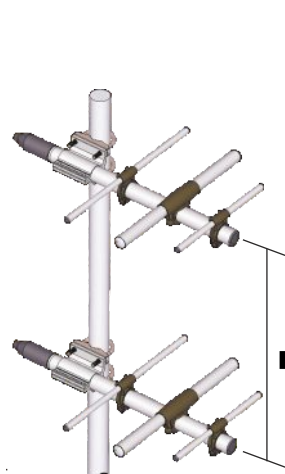
WY380-10N: **L**=370mm; 14.5in. **S**=530mm; 20.8in
WY400-10N: **L**=350mm; 13.8in. **S**=500mm; 19.7in



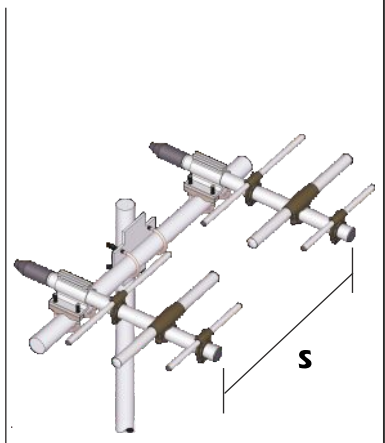
Vertical polarization
(Bayed)



Vertical polarization
(Stacked)



Horizontal polarization
(Stacked)



Horizontal polarization
(Bayed)