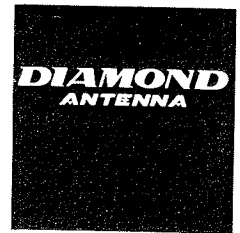


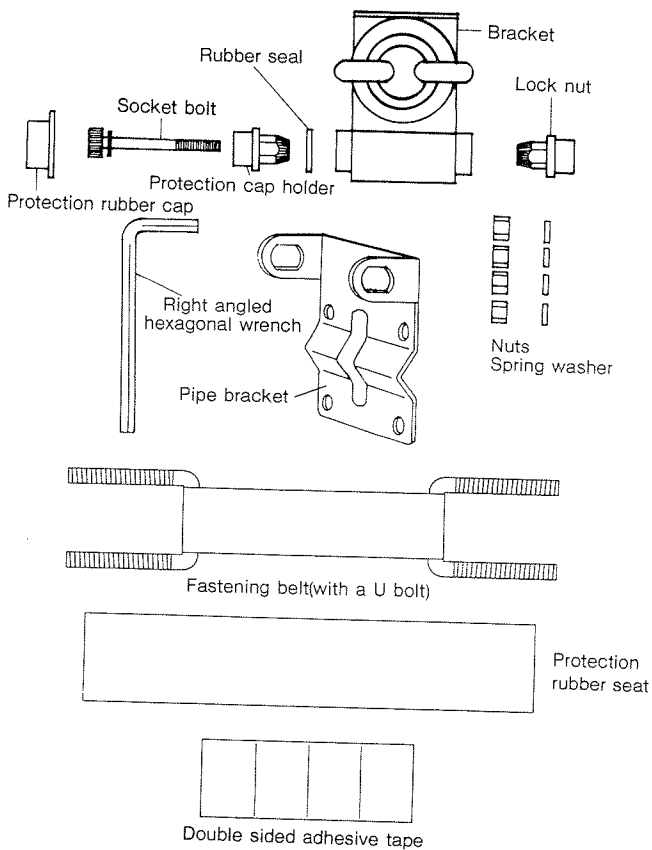
SUPER GAINER



Foldover Rooftop Rail Mount Bracket K550

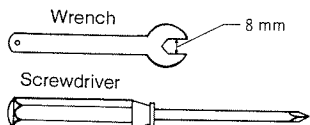
Operation Instructions

● Confirm required parts.



* Optional parts: There are variety of Teflon coaxial cable assemblies which are very convenient to feed the antenna into a car. They can be selected by required cable length and/or connectors.

● Tools required to assemble.

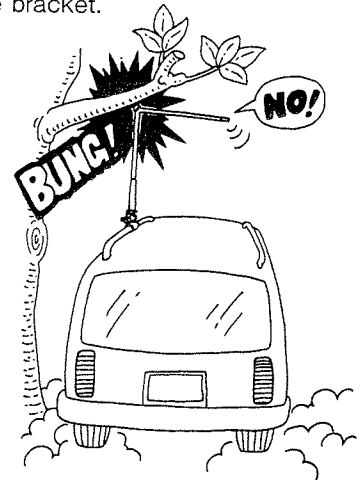


● Installation

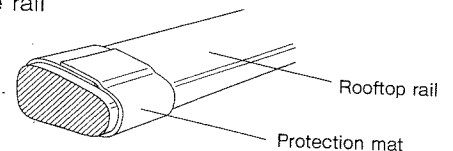
Place a socket bolt on the left side of folding knob in front of the bracket. In installation, be sure to make "SUPER GAINER" letters in front of the bracket toward you.

1) Decide where to install the bracket.

It is recommended to install the bracket on center line side of rooftop rail, since it can prevent antenna damage from trees or obstacles along the sidewalk.



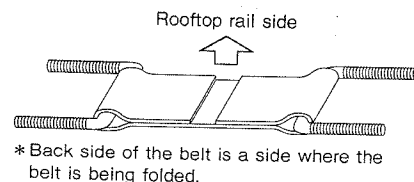
2) To protect the rail, apply double sided adhesive tape on back of protection mat and tie around installation place. It is recommended to cut the mat to fit the rail before using it.



3) Fix the bracket and fastening belt.

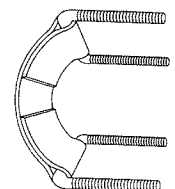
Remove nuts and spring washers on the belt and tie the belt around protection mat on the rail.

Note : Be sure to confirm back and front side of the belt before installation.



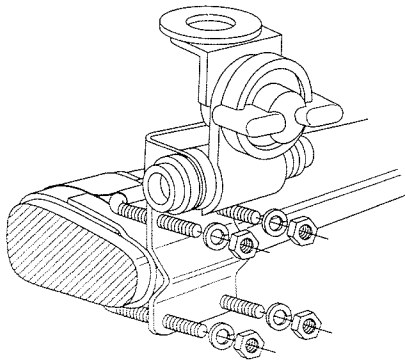
* Back side of the belt is a side where the belt is being folded.

To bent the belt, be sure to make back side of the belt, where the belt is being folded, inside. Make back side of the belt out weaken fastening strength of it and may cause to remove the bracket.



Be sure to bent back side of the belt inside.

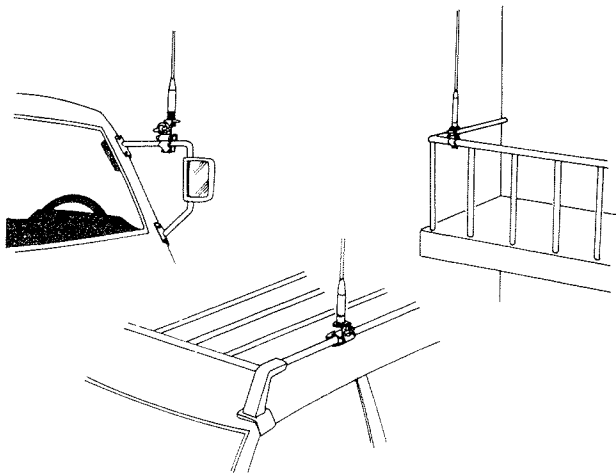
Attach the bracket to U bolts at both end of the belt and then attach nuts and washers to four bolt ends.



Fasten four nuts evenly.
By fastening four nuts evenly, the belt can be fixed on the rail naturally.

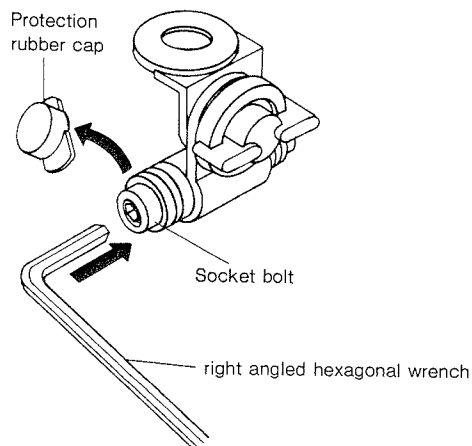
● **To install the bracket on the place other than rooftop rail.**

Though the bracket is designed to be installed on rooftop rail, it can be installed on variety of piping.

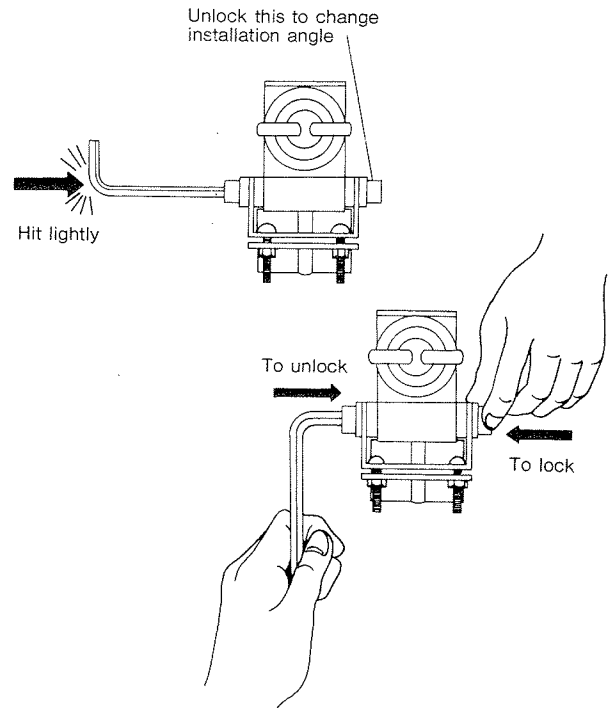


● **To install the bracket vertically (for vertical installation of the antenna)**

1. Remove protection rubber cap and loosen socket bolt. Use right angled hexagonal wrench included to loosen the bolt.



2. After loosening the bolt, hit the top of the wrench lightly. Hitting the wrench lightly will unlock the bolt and make it free to change installation angle. Then adjust the bracket to make it vertical to road surface. To push lock nut at the opposite end will lock the bolt again. And hitting the bolt at the opposite end with the wrench will unlock the bolt.



Note :

Since the bracket is designed to be installed on places such as rooftop rail, it does not have sufficient body ground. Therefore, depending on type of an antenna, VSWR can not be lowered. It is highly recommended to use it with DIAMOND's high performance and stable radialless mobile whip antennas.