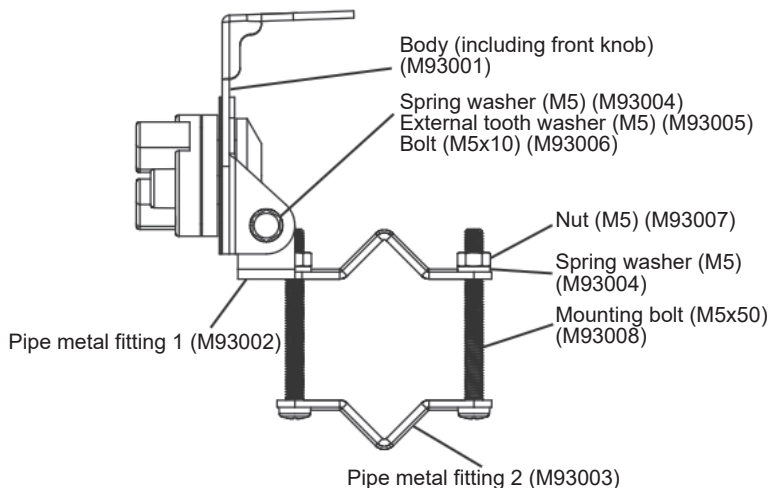


OPERATING INSTRUCTIONS

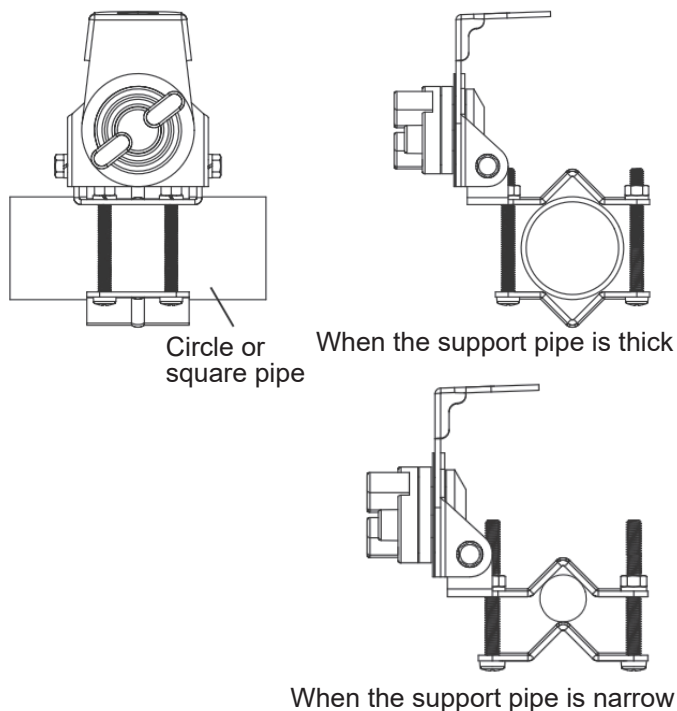
Thank you for purchasing the Diamond Antenna mount bracket. Before using, please read carefully these OPERATING INSTRUCTIONS to operate properly. SAVE THESE INSTRUCTIONS.

• Confirm required parts



* Optional parts: There are variety of Teflon coaxial cable assemblies which are very convenient to feed the antenna into a car. They can be sleeved by required cable length and/or connectors.

• Installation



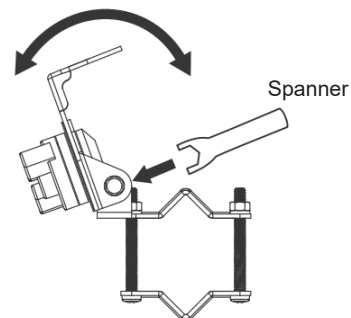
- Installable size
 Circle pipe: $\phi 15\sim 40\text{mm}$
 Square pipe: $40\times 45\text{mm}$
- Choose a solid place to mount the base and check that it does not interfere with driving.

• How to tilt angle (2-axis deflection mechanism)

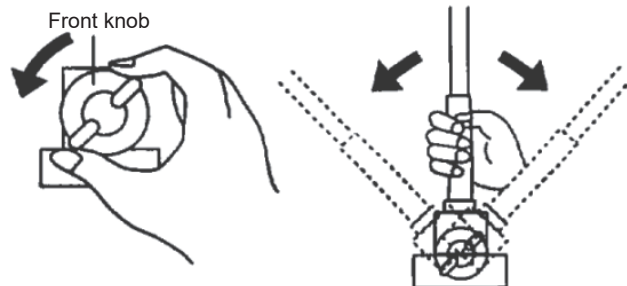
Install the antenna vertically. Installation angle may affect the performance of high gain antenna. Fasten the screw and front knob tightly after adjustment.

1. Tilting front and back

Adjust the bolt on the side using spanner.



2. Tilting sideways



• Attention

- 1) Fasten the screw and front knob firmly before operation.
- 2) Recommended to use genuine Diamond Antenna coaxial cable to have the best performance.
- 3) Antennas other than radialless antenna uses vehicle body as earth. Therefore, use connector fixing nut to get earth. (Earth line should be as short as possible.)

- Though these products purchased are manufactured under strict quality control, if damage is caused by transporting, ask your dealer promptly.
- Design and specifications of these products will be changed for future improvement without advance notice.