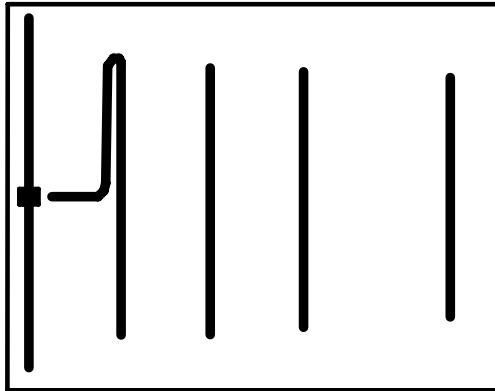


2400-2450 MHz 5 Element PCB Yagi

WA5VJB




 10-11 dBi
 Max Signal

Uses: WiFi, 2.4 GHz Video, Beacons
 Rovers Wireless Systems
 RFID

Notes:

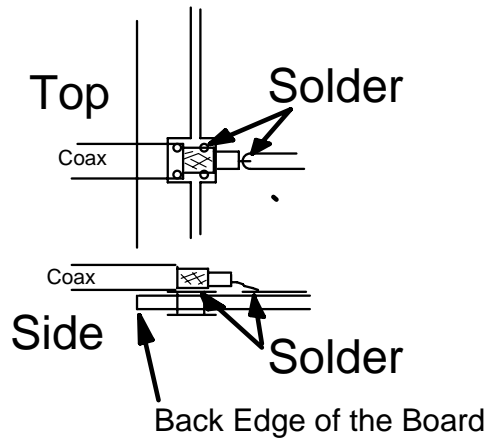
Solder the Coax shield to the pad on the reflector and the center conductor as shown.

.141 and .085" Simi-Rigid coax work well.

Also RG142 and other Teflon Coax's work well.

Use 50 Ohm Coax

Average Gain 10 dBi



| | | | | | |
|-----------------------|--------|--|---------------|--|--|
| Title | | | 2450 MHz Yagi | | |
| Size | Number | | Rev | | |
| B | NTMS | | A | | |
| Date: 4-12-2007 | | | Drawn by: KEB | | |
| File Name: 5ele24.pcb | | | Sheet 1 of 1 | | |



* RBW 30 kHz

* VBW 100 kHz

Att 20 dB

SWT 660ms

Ref 0.0 dBm

M4[2]

-19.05 dB

2.450000000 GHz

M1[1]

-27.72 dB

2.300000000 GHz

M2[1]

-24.44 dB

2.400000000 GHz

M3[2]

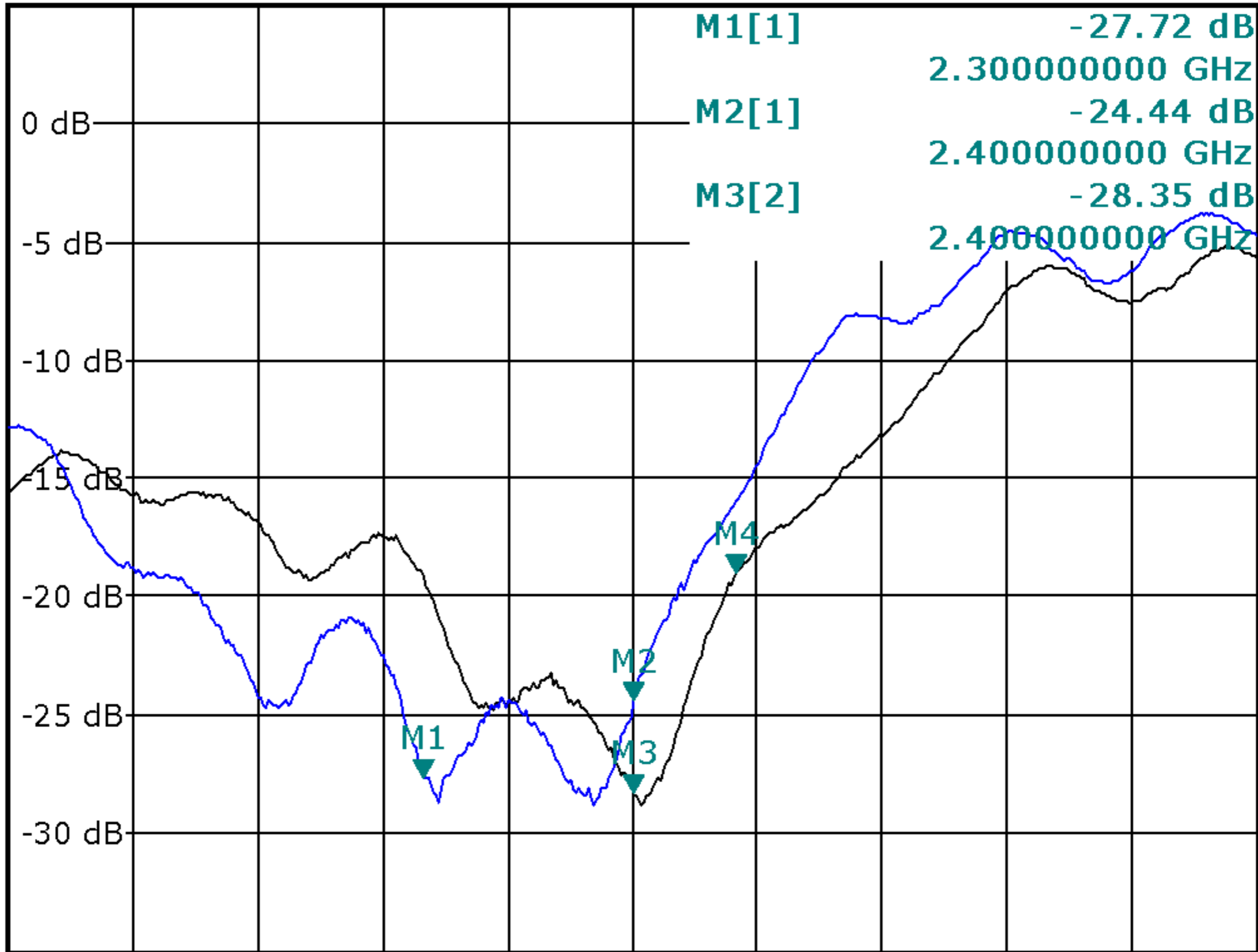
-28.35 dB

2.400000000 GHz

1Sa
View
2Sa
Clr

SGL

APX



CF 2.4 GHz

Span 600.0 MHz