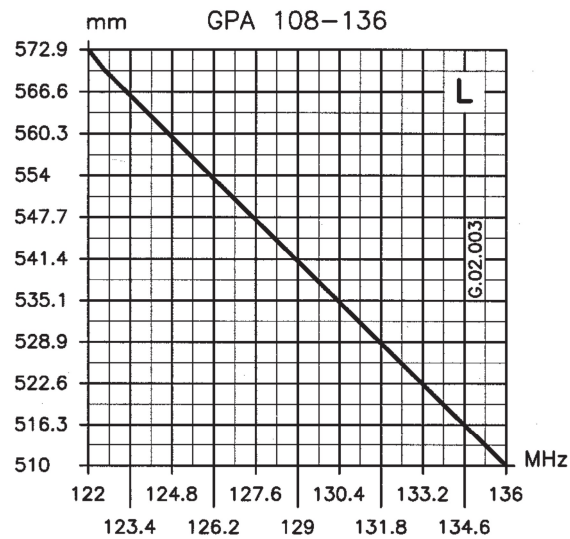
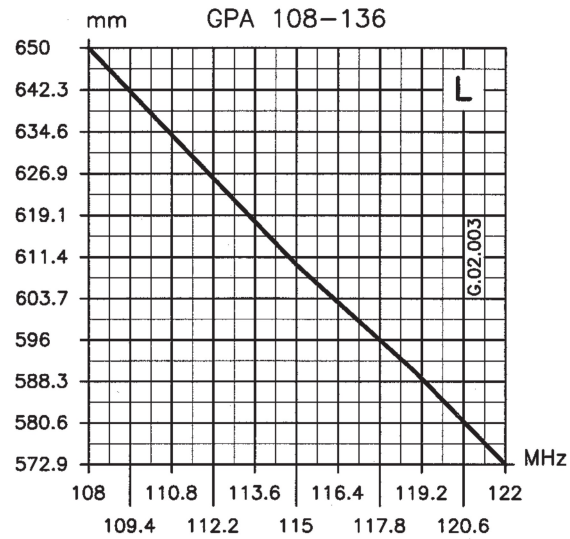


TYPICAL TUNING DIAGRAMS



NOTE:

- It is recommended to use the curves as a guide and fine-tune using an SWR-Meter.

Model GPA 108-136

VHF Ground Plane Antenna 108-136 MHz



Installation Manual

DESCRIPTION

1/4 λ Ground Plane antenna for base station service working on 108-136 MHz by means of the tuning diagram enclosed. It is entirely made of non-corrosive aluminium and assembled on a strong die-cast base which allows an easy and safe installation assuring very good performances.

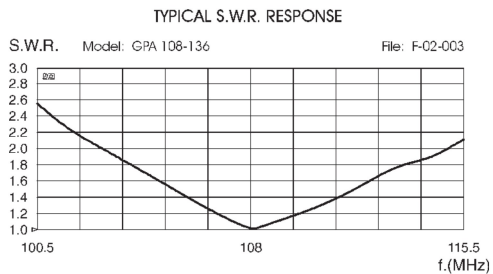
SPECIFICATIONS

Electrical Data

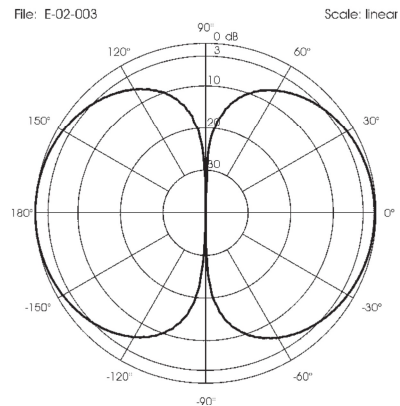
Type	:	1/4 λ Ground Plane
Frequency Range	:	108-136 MHz tunable by diagram
Impedance	:	50 Ω Unbalanced
Radiation (H-plane)	:	360° Omnidirectional
Radiation (E-plane)	:	Beamwidth at -3 dB = 86°
Radiation angle deg.	:	0°
Polarization	:	Vertical
Gain	:	0 dBd - 2.15 dBi
Bandwidth at V.S.W.R. 2:1	:	12 MHz at 108 MHz
V.S.W.R. at res. freq.	:	$\leq 1.2 : 1$
Max Power	:	500 Watts
Feed System / Position	:	Direct / Center
Connection	:	UHF Female

Mechanical Data

Materials	:	Aluminium, Chromed Brass, Nylon, Stainless Steel
Wind Load / Resistance	:	35 N at 150 Km/h / 150 Km/h
Wind Surface	:	0.03 m ²
Height (approx.)	:	1185 mm
Weight (approx.)	:	565 gr
Radial Length (approx.)	:	650 mm
Mounting Mast	:	\varnothing 35-40 mm



TYPICAL RADIATION PATTERN in E-plane at 108 MHz



MOUNTING INSTRUCTIONS

