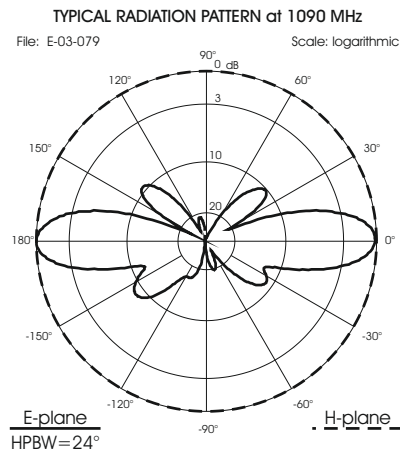
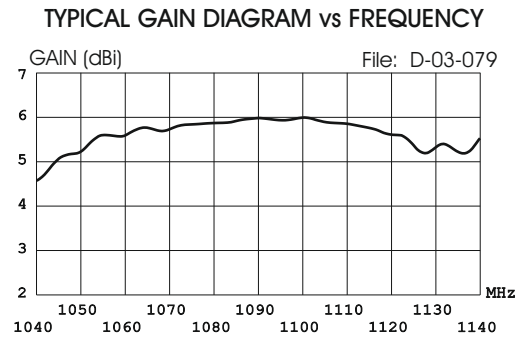
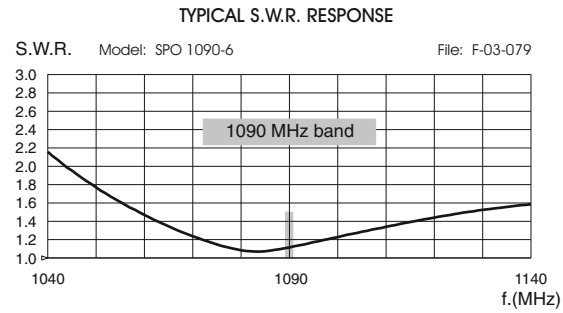


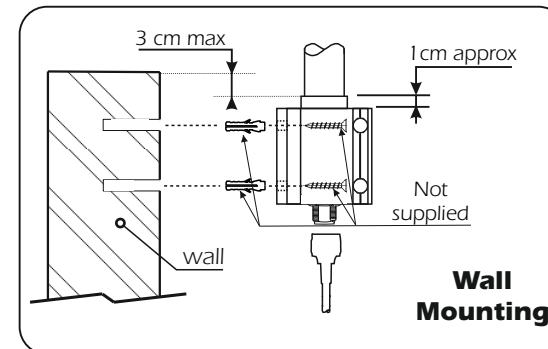
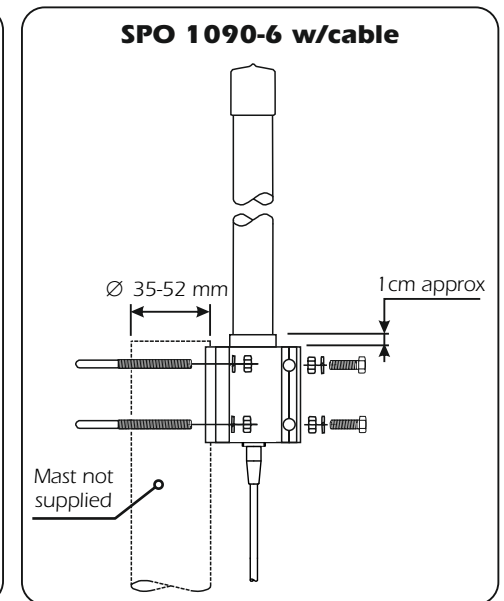
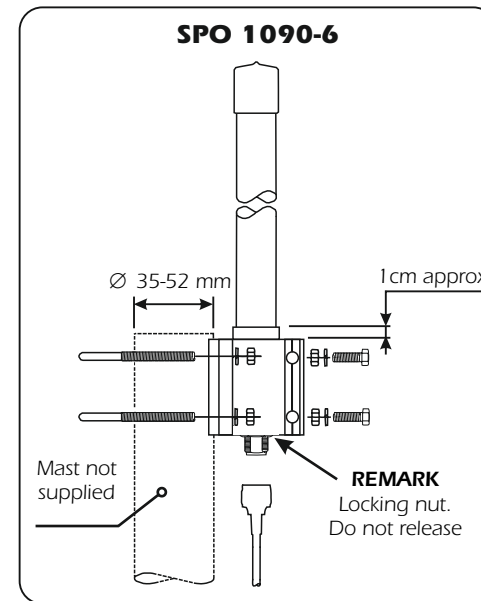
SPO 1090-6

Base Station Antenna ADS-B 1090 MHz

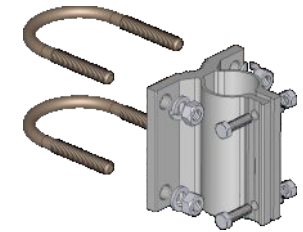


Electrical Data	SPO 1090-6 N-f connector	SPO 1090-6 cable version
Type	3 x 1/2 λ Colinear	
Frequency Range @ SWR ≤ 1.5	1090 MHz	
Impedance	50 Ω	
Antenna detection DC resistance	on request	
Radiation (H-plane)	360° omnidirectional	
Radiation (E-plane) Beamwidth @ -3 dB:	24°	
Radiation angle deg.	0°	
Polarization	Linear Vertical	
Gain	3.85 dBd, 6 dBi	
Max Power (CW) @ 30° C	20 Watts	
Cable Type / Length	/	White Low Loss cable / 5m, 16.4 ft
Connector	N-female, gold plated central pin	SMA-male, other type on request
Mechanical Data		
Housing & Radome Material	Fiberglass, PCB, Anodized aluminium, Nickel plated brass	
Bracket & Hardware Material	Aluminium, Stainless steel, Zinc plated steel	
Wind Load @ 150 Km/h, 93 mi/h	28 N	
Wind Resistance	150 Km/h, 93 mi/h	
Wind Surface	0.024 m²; 0.26 ft²	
Height (approx.)	690 mm, 2.1 ft	
Weight (without bracket, approx.)	390 gr; 0.86 lb	490 gr; 1.1 lb
Operating Temperature	-40 °C to +70 °C	
Installation type	Mast: Ø 35-52 mm, Ø 1.4-2.0 inch with U-bolt Wall: mounting screws (not included)	

MOUNTING INSTRUCTIONS



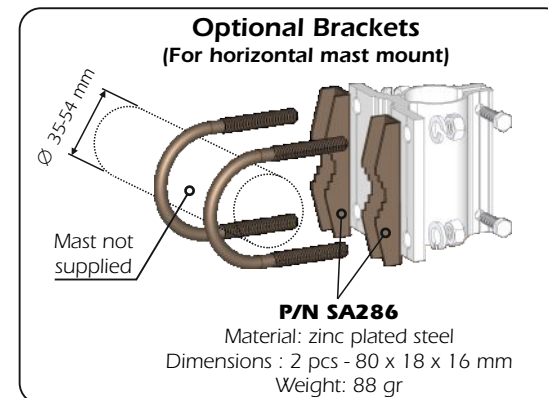
Standard Mounting Bracket



Spare parts: P/N SA285

Materials: extruded aluminium
Hardware: stainless & zinc plated steel
Dimensions : 80 x 76 x 65 mm
Weight: 363 gr

Part list	
Q. ty	Description
1	Extruded aluminium bracket
2	M8x200 U-bolt
4	M8 Grower washer
4	M8 Hexagonal nut
2	M6x20 Hexagonal head screw
2	M6 Grower washer
2	M6 Hexagonal nut



Version with
N-female
connector



Version with
Low Loss
cable

